



Brake disc hubs (KF)

Removal / Installation recommendations



General recommendations

- 1) Always check the technical manual for the vehicle.
- 2) Check that you have the correct tools to carry out the fitment of the disc hub to the manufactures specifications.
- 3) Make sure all fitment tools are in good condition, and the working area is clean and safe
- 4) Make sure you have purchased the correct kit for the vehicle prior to fitment, parts should not be removed from their packaging until they are ready to be fitted.
- 5) It is strongly recommended that both rear disc hubs are replaced at the same time to avoid any safety issues, when replacing any disc, it is also recommended that new brake pads are always fitted.
- 6) The kit is supplied with all the new nuts bolts and caps required to fit the disc to manufactures specifications. Old nuts bolts and caps should never be reused.
- 7) Never disassemble or separate the components of a hub disc.
- 8) If any abnormal noise's are heard during the fitment process, the disc must be removed and the bearing checked for cracks or other damage, if any damage is found the disc must not be fitted.
- 9) To avoid damage to the encoder, keep it away from magnetic fields.
- 10) Apply the tightening torques specified by the manufacturer, remember to turn the disc whilst applying the torque setting.

Required tools

- Centering sleeve Réf. Clas OM 4217
- Brake piston wind back tool OE (KM-6237-C) Réf. Clas OM 8154



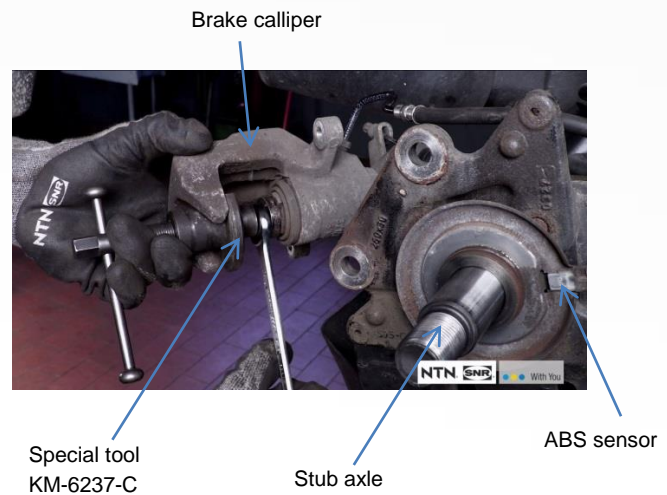
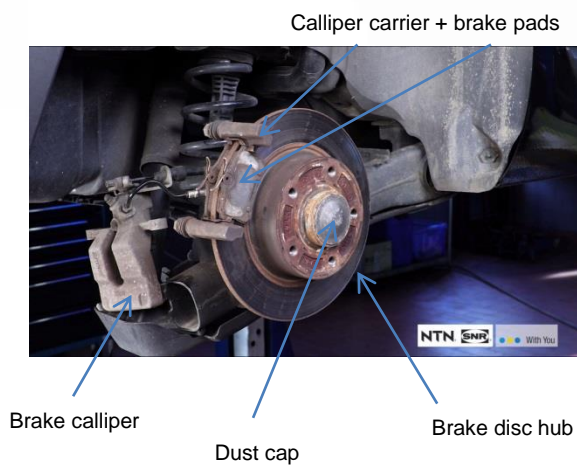
Removal

1. Dismantle in the following sequence

- Rear wheel
- Brake calliper followed by the carrier and the brake pads
- Dust cap
- Wheel hub nut
- Brake disc hub

2. Before installing the new brake disc hub:

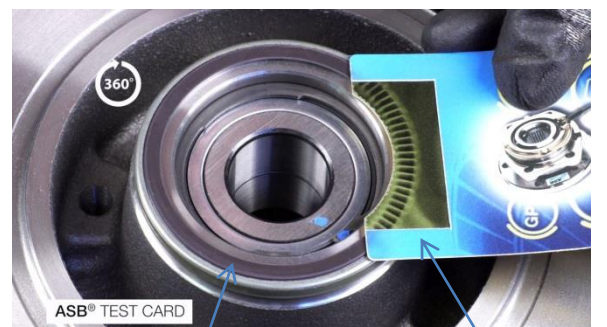
- Clean the stub axle
- Take care not to damage the ABS sensor
- Push while turning the brake calliper piston back in with brake piston wind back tool (OE KM-6237-C)



Installation

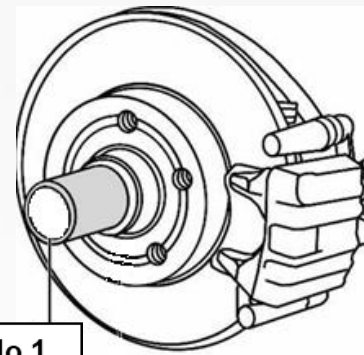
3. The SNR kit contains all of the parts needed for the installation of the disc hub. It is important to replace all of the components supplied in the kit. The components are necessary for the correct operation of the brake disc hub.

4. Before fitting the new brake disc hub remove the plastic ASB® protective cover. Take care to protect the magnetic encoder from impacts. Avoid all contact with dirty or magnetic surfaces. Check that the magnetic poles are not damaged using the ASB® testing card



5. Install the new components in the reverse order to that in which they were removed:

- Install the new brake disc hub on the stub axle. In order to facilitate the correct insertion of the disc hub on the stub axle, the use of a centering sleeve (**No.1**) is recommended
- Take care not to damage the ABS sensor
- Install the new nut
- Use a torque wrench to tighten the nut to the correct tightening torque specified by the manufacturer, the torque setting can be found on the product label.
- Install the new grease cap



No.1



6. Final steps:

- Re-install the calliper carrier
- Install the new brake pads
- Re-install the brake calliper
- Re-mount the wheel

To help insure the correct fitment of the disc hub, SNR list the correct torque setting for the product on the product box label.



Recommendations

Follow the vehicle manufacturer's installation procedures and apply the specified tightening torques.

Refer to the vehicle applications in our online catalogue: [e-shop](#)

Watch the installation video about brake disc hubs on the SNR Automotive Aftermarket

YouTube channel: <https://youtu.be/A5CzT3ELMZO>



Scan this QR code to access our online catalogue.

FOLLOW THE RECOMMENDATIONS OF THE VEHICLE MANUFACTURER!

©NTN-SNR ROULEMENTS

The contents of this document are the copyright of the publisher and any reproduction, even partial, is prohibited without permission.

Despite the care taken in preparing this document, NTN-SNR Roulements disclaims any liability for errors or omissions that may slip through, as well as for losses or direct or indirect damage arising from its use.

