



ABSOLUTE
ANGLE SENSOR
Your innovative solution

NTN® **SNR**®

www.ntn-snr.com



With You

COMPACT & MODULAR - REDUCED LIFE CYCLE COST - PRECISE & RELIABLE

YOU'RE LOOKING FOR COMPACT, RELIABLE & COST-EFFECTIVE SOLUTION TO MEASURE YOUR SHAFT POSITION

We propose an innovative and unique solution



Modular design

The 2 part design (sensor+magnetic ring) is easily integrated into your application. It also provides easier maintenance.



Cylindrical design

The standard « speed sensor design » offers compactness, easy integration, as well as efficient sealing.



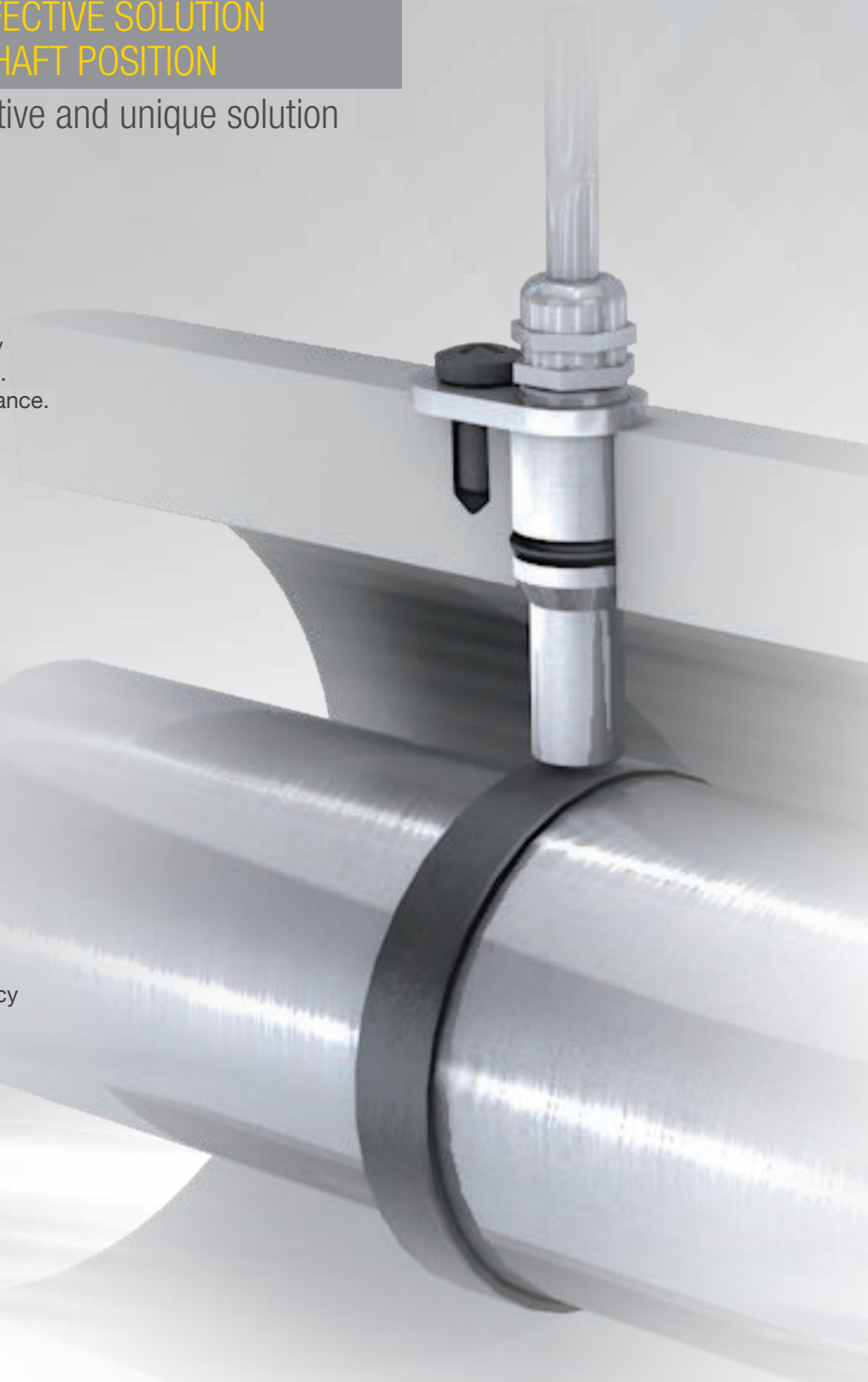
Through shaft

Our through shaft magnetic solutions offers:
- high resolution & high accuracy
- space saving and new integration possibilities.



Magnetic principle

A non-contact magnetic measurement offers reliability in many kinds of environment.





Range overview

- Version 1 for cost-effective solution: SSI or BiSS signals with 2 magnetic ring diameters: Ø78.5 or Ø37.5mm
- Version 2 for BiSS+ABZ signals & other magnetic ring diameters

Offer characteristics

- High performance measurement with resolution from 13 to 17 bits.
- Accuracy down to $\pm 0.1^\circ$
- Programmable output (resolution, rotation direction, zero angle)
- Temperature from -40°C to 110°C

Sensor 1

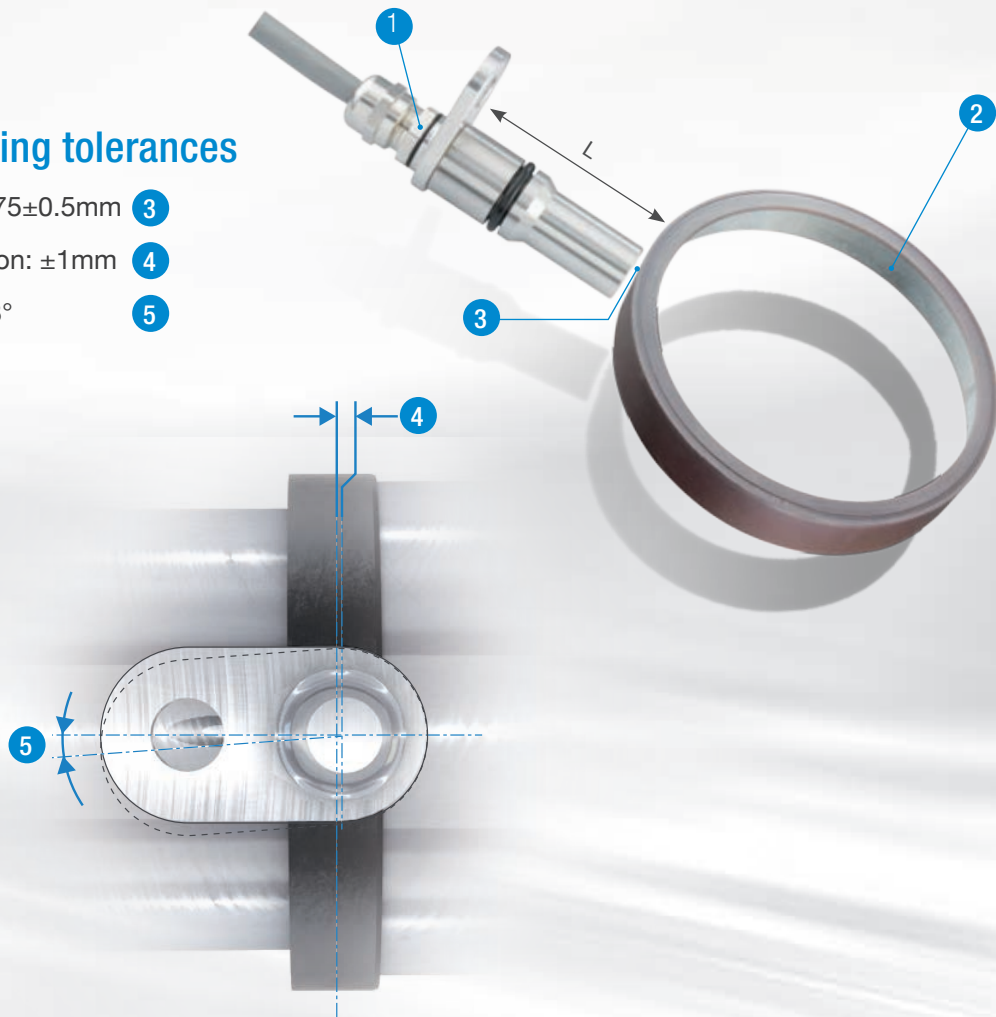
Version	V1	V2
Length L (mm)	48	48
Tube Ø (mm)	17.5 / 14	22 / 17.5
Cable	BiSS or SSI : 10 wires	BiSS/SSI: 10 wires +ABZ: 16 wires

Magnetic ring 2

Version	Ring 1	Ring 2
Outer Ø (mm)	78.5	37.5
Shaft Ø (mm)	75	34
Inner Ø (mm)	68	28

Positioning tolerances

- Air Gap: $0.75 \pm 0.5\text{mm}$ 3
- Axial position: $\pm 1\text{mm}$ 4
- Angular: $\pm 3^\circ$ 5





ABSOLUTE ANGLE SENSOR

Your innovative solution

NTN-SNR SUPPORTS YOU
IN YOUR INNOVATIVE PROJECTS

Feel free to contact us:
mechatronics.industry@ntn-snr.fr



DOC_L_TWOPARTSBN56F_AR61.dba - SAP : 327071 Conception et réalisation : Service publicité NTN-SNR © 2013 / 12 - Photos: © Pietro Stullo Photos - Shutterstock